

# Grilling Cart -steamer

**COOKING AREA COMPLETELY INSULATED WITH HIGH TEMPERATURE INSULATORS.**

**ALL INTERIORS AND EXTERIOR CONSTRUCTION MATERIALS ARE NON-TOXIC,**

**RUST PROOF (STAINLESS STEEL) AND EASILY CLEANABLE, TIGHTLY FITTED AND SEALED TO PROVIDE PROTECTION AGAINST DEBRIS, GERMS AND THE ELEMENTS.**

**ALL WATER HOSES ARE FOOD GRADE HOSE AND N.S.F APPROVED.**

**ALL EQUIPMENTS INSTALLED INSIDE THE CART N.S.F APPROVED.**

**ALL EQUIPMENTS AND REFRIGERATOR UNITS ARE PERMANENTLY SECURED TO THE FLOOR AND SEALED TO PREVENT MOIST FROM GETTING UNDER THE EQUIPMENT, RAISED AT LEAST 6" OF THE FLOOR.**

**THE PLUMBING IS FULLY ACCESSIBLE.**

**ALL EQUIPMENT ANSI/ NSF APPROVED.**



Grill Carts | Concession Trucks | Coffee Carts | Hot Dogs Carts | Fruit Carts | Catering Trucks

Carros Con Parrilla | Trocas Luncheras | Carros Para Cafe | Carros de Hot Dogs

Over 3 Decades of Experience - Health Department Approved - Hablamos Español

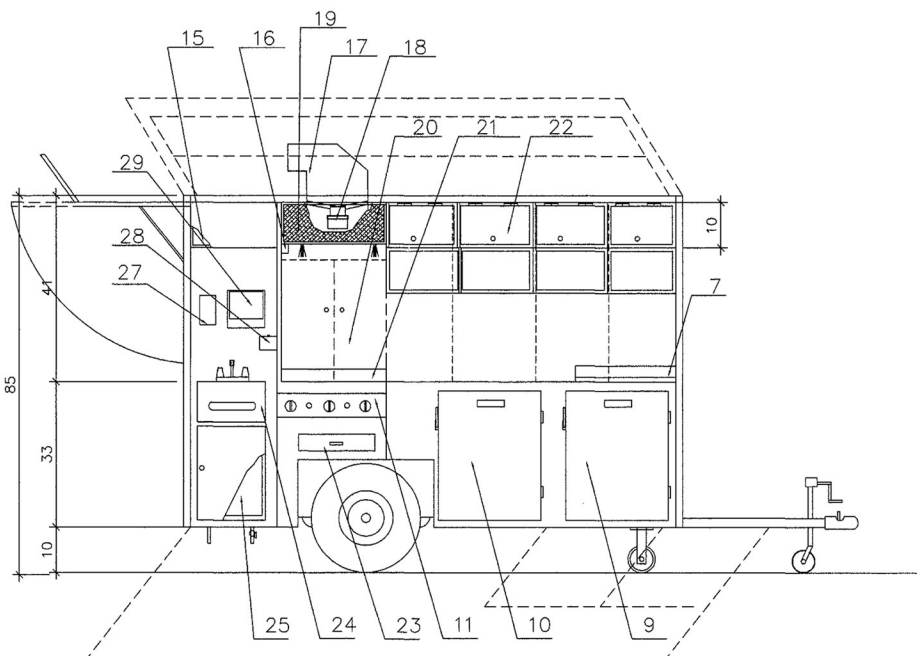
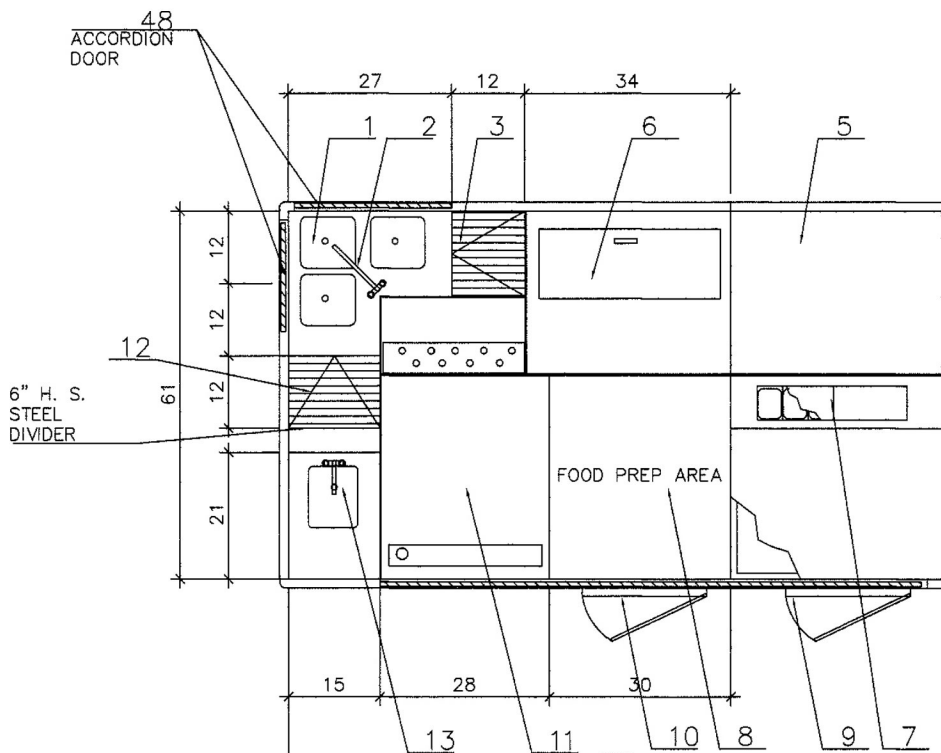
★ New & Used Carts [www.KareemCarts.com](http://www.KareemCarts.com) ★ Nuevos Y Usados

Grill Carts | Concession Trucks | Coffee Carts | Hot Dogs Carts | Fruit Carts | Catering Trucks

Carros Con Parrilla | Trocas Luncheras | Carros Para Cafe | Carros de Hot Dogs

Over 3 Decades of Experience - Health Department Approved - Hablamos Español

★ New & Used Carts [www.KareemCarts.com](http://www.KareemCarts.com) ★ Nuevos Y Usados



- 3 BOWL DISH WASH SINKS (12X12X10)
- 12" MIXING FAUCET
- DRAIN BOARD
- DIVIDER WALL
- COUNTER
- SODA ICE BIN (23.5 X 30 X 19 = 57 GAL.)
- DRESSING TABLE
- FOOD PREP AREA
- REFRIGERATOR ETPR1 (6 cub. ft)
- UNDER COUNTER REFRIGERATOR ETPR1 (6 cub. ft )
- GRILL "STRATUS"
- DRAIN BOARD
- HAND WASH SINK AND 4" FAUCET (9X9X5)
- DIVIDER H=6"
- FRESH WATER TANK (50 X 15 X 9.5= 30.6 GAL)
- GREASE TRAP
- EXHAUST VENT
- FAN MOTOR
- GREASE FILTER
- BROILER COMPARTMENT DOOR
- BROILER METAL FLASHING
- STORAGE SHELVES (69 X 24 X 13=12.4 cub. ft)
- UTENSIL STORAGE DRAWER
- TRASH BIN FLAP
- BIN (12 X 10 X 28=2 cub. ft)
- TRASH BIN DOOR
- FIRST AID KIT
- DIVIDER WALL
- SOAP DISPENSER
- PAPER TOWEL HOLDER
- FOLDING TABLE
- SELF STORAGE (56 X 19 X 13= 8 cub. ft)
- SHELF
- FIRE ANSUL SYSTEM
- WATER TANK ACCESS DOOR
- QUICK CONNECTOR 4HK
- FOLDING CANOPY
- WATER PUMP "SHURFLOW"
- WASTE WATER TANK 45 GAL
- GAS WATER HEATER "SUBURBAN" UL APPROVED
- GENERATOR
- GENERATOR COMPARTMENT DOOR
- WASTE WATER TANK (25 X 20 X 10= 21 GAL)
- PROPANE TANK COMPARTMENT
- PROPANE TANK
- UNDER SINK STORAGE
- FOLDING FLOOR MAT (60 X 108)
- ACCORDION TYPE CLOSURE DOOR
- STAINLESS METAL WALL ALL AROUND GRILL



**KAREEM**  
Cart  
COMMISSARY & MFG. CO.



Grill Carts | Concession Trucks | Coffee Carts | Hot Dogs Carts | Fruit Carts | Catering Trucks  
Carros Con Parrilla | Trocas Luncheras | Carros Para Cafe | Carros de Hot Dogs

Over 3 Decades of Experience - Health Department Approved - Hablamos Español

★ New & Used Carts

[www.KareemCarts.com](http://www.KareemCarts.com)

★ Nuevos Y Usados